

CSN910 FlexFlow™

Maximum throughput at minimum cost



Advanced package reading

with splitting of rectangulars from clusters. This dramatically improves the dimensioning rate and package count, which reduces miss-sorting due to multiple objects on belt. Reliable package orientation data on each item, guarantees correct sorting and tracking throughout the process. The system can also run in irregular mode if splitting is not required.



High-speed capacity

and fully automatic mode for maximizing the throughput. The packages do not need to be separated and can touch back-to-front. This increase productivity and reduces the need for a tidy and organized flow. The solution is easy to integrate on top of high belt speed conveyors.



Reliable dimensions

with height accuracy of ± 2 mm (± 0.1 in), making it possible to measure most sizes and shapes with the highest precision. This means exact data on each item, guaranteeing a correct foundation for all material handling activities, and the possibility for revenue recovery also on large flat packages.



Secure data capture

with full overview of the process. Our software collects and couples dimensions and ID ensuring maximal read rate. The data is stored in a tamper-proof hard-disk and transferred to user's host. Simultaneously a monitor displays the package's length, width and height, as well as AWB number, historical data and read rate statistics.



Integrated web-pages

making installation, service and upgrades quick and easy through Internet, both remote and on site. A user-friendly menu, guides the user through the different functions. DimCentral; a monitoring tool is also available for immediate fault reporting and performance surveillance, maximizing up time.



CSN910 FlexFlow™ Dynamic package solution

The CSN910 FlexFlow™ is an unattended data capture solution that automatically scans the ID and measures the length, width and height of packages transported on a conveyor.

It is designed for easy integration into package sorting depots, terminals, hubs and warehouses. There is no need for extra PC with our application software embedded in the dimensioner, making the system compact and cost effective. The CSN910 FlexFlow™ is ideal for high-speed applications with capability of measuring up to 15 000 packages per hour.

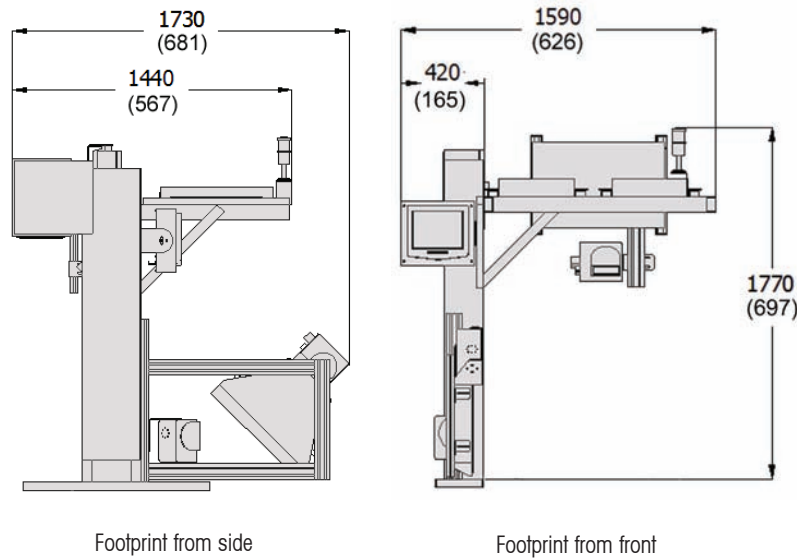
The CSN910 FlexFlow™ guarantee full data integrity, with the well proven laser range finder technology and approved according to industry standards.

CSN910 FlexFLOW™

Dynamic package solution

Features and benefits

- Laser range finder technology for accurate measuring of length, width, height
- Unattended bar code scanners for automatic ID ¹⁾
- 3 m/s (591 fpm) belt speed for high throughput and easy integration
- 2 mm (0.1 in) height accuracy for measuring also large flat packages
- Advanced cubing such as splitting of clusters for accurate package count, dimensioning and read rate
- Merging software for secure collection and linking of dimensions and ID
- Host communication for seamless transfer of data to customer host
- Bar code validation for customization of bar codes to accept or reject
- Alibi memory for tamper-proof storage of data ²⁾
- Back-to front and limited side by side touching for highest throughput
- Package orientation data for correct sorting and tracking
- Web-page with graphical menu for quick set up, easy configuration, monitoring and access to statistics
- Remote diagnostics for easy upgrades and service, maximizing up-time
- DimCentral™ monitoring for immediate fault reporting and performance surveillance
- Graphical colour user-interface and 12" TFT monitor for clear overview
- Adjustable stands to meet customers site requirements
- Irregular mode when splitting is not required ³⁾
- Irregular code for identifying damages and improperly packing
- Application software embedded in dimensioner for "all in one box" - no extra PC required, compact and cost effective



Footprint from side

Footprint from front

Specifications

Accuracy for speed at - 2,0 m/s (394 fpm)	± 2 mm (0.1 in) in height, ± 5 mm (0.2 in) in length and width
- 3,0 m/s (591 fpm)	± 5 mm (0.2 in) in height, ± 10 mm (0.4 in) in length and width
Maximum size (LxWxH)	2500 x 1200 x 700 mm (98 x 48 x 28 in) or 2500 x 900 x 900 mm (100 x 36 x 36 in)
Minimum size (LxWxH)	50 x 50 x 25 mm (2 x 2 x 1 in)
Throughput	Up to 15 000 packages/hour ⁴⁾
Shape	Most shapes ³⁾
Surface characteristics	Almost all type of surfaces. Variance are sometimes encountered when surface is transparent/translucent or very glossy.
Orientation	Place most stable surface down
Background	Conveyor belts need to be flat
Maximum belt speed	3,0 m/s (591 fpm)
Spacing	Back-to-front touching of rectangular objects, singulated and separated for irregulars ³⁾
Operational temperature	-10° to 40 °C (14° to 104 °F)
Power	230 V 50 Hz, or 115 V 60 Hz
Laser type	Class 2
Interface	RS232 and Ethernet (TCP/IP)
I/O ports	VGA, USB, keyboard, binary in, binary out

- 1) Top and/or side/front bar code reading, configuration depending on control of package orientation
- 2) Only required for legal for trade applications
- 3) Approved for rectangulars. System can be set to measure irregulars in non-legal for trade applications. Accuracy depends on shape.
- 4) Depends on site conditions. Calculation based on average package size and belt speed.

Sample configurations

- Dimensioner
- Dimensioner and top bar code reading
- Dimensioner, 3- sided bar code reading and alibi memory

Main components

Dimensioner	CSN910 with monitor, key board, data concentrator and pulse encoder
Bar code reader top	DX8200A high performance omni scanner
Bar code reader side/front	DS8100A high performance line scanners
Application software	Merging, host communication, bar code validation, alibi memory
Stand	Selection adjustable to site

Hardware and software components can be purchased separately or as a complete certified dimensioning and identification solution.



OIML 129 and NTEP certificates
 Compliant to health and safety regulations
 Internet: <http://www.mt.com>
 Worldwide service



Subject to technical changes
 © 12/2006 Mettler-Toledo Cargoscan AS
 Printed in Norway 792017
 CSN MarCom Oslo