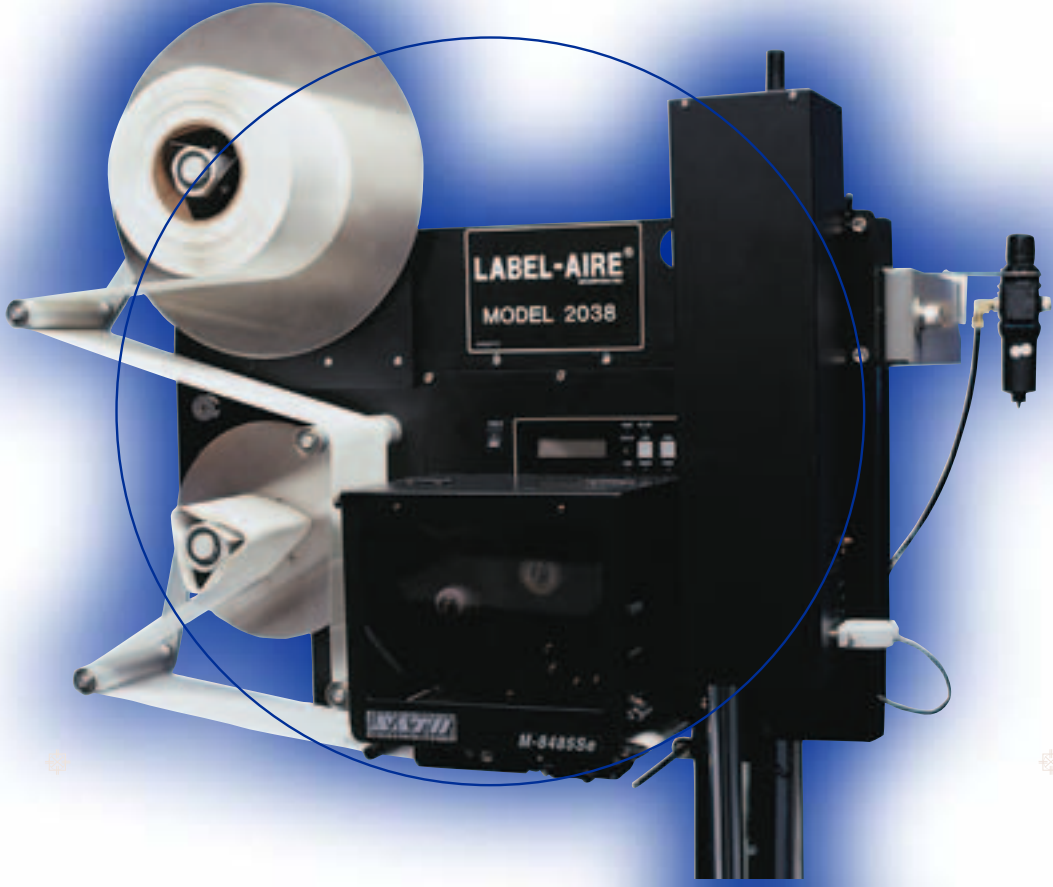


2038

 LABEL-AIRE®

Model 2038 Printer Applicator



precision

LABEL-AIRE®... LABELING SOLUTIONS THAT APPLY

2038

LABEL-AIRE®

Model 2038 Printer Applicator

If versatility, portability, affordability, and reliability are features that you want in your printer applicator, look no further. The Label-Aire® Model 2038 fits the bill.

The Label-Aire Model 2038 Printer Applicator is a value-priced labeler that does not skimp on standard features. The 2038 uses a stepper-driven rewind assembly which ensures long print-engine life improving your bottom line in the long run. The 2038 can be easily modified to apply labels using tamp-on, tamp-blow, or air-blow labeling methods. The 2038's ability to apply labels at any angle, including top, side, or bottom to a wide range of products makes this a very versatile machine. The 2038 comes equipped with standard error diagnostic routines, monitoring minimum product spacing and label presence on tamp pad – which ensure that the correct label gets on the proper package – are standard features that are not usually found on a value priced printer applicator.

- Stepper-driven means “no wear parts”.
- Labeling speeds up to 100 products per minute.
- Maximum label size of 4.75" (120 mm) wide x 6.7" (170 mm) long will handle a wide product range.
- Compatible with any O.E.M. printer brand on the market.
- Optional T-base stand allows ease of mobility among various production lines.
- Compact yet rugged design for easy placement into confined spaces.

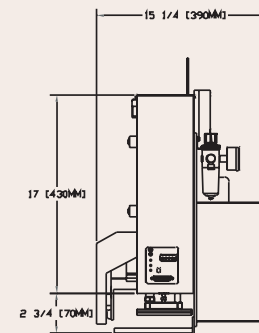
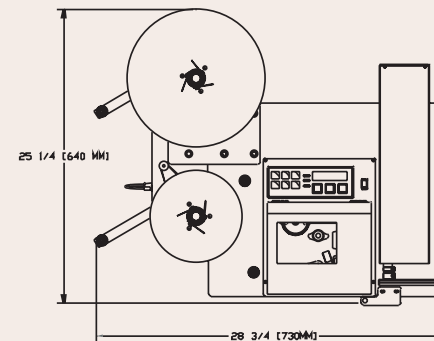
LABEL-AIRE®

550 Burning Tree Road
Fullerton, CA 92833 USA
v: 714-441-0700 f: 714-526-0300

Sjaellandsvej 27 A
Hobro, DK-9500 Denmark
v: 45 96 57 00 63 f: 45 96 57 00 64

e: info@label-aire.com
i: www.label-aire.com

Distributed by:



S P E C S

Dimensions:

Height: 25.25" (640 mm)
Length: 28.75" (730 mm)
Width: 15.25" (390 mm)

Weight: Approx. 45 lbs. (20 kg)
not including the printer

Standard Label Dimensions:

Min.: .75" x .75" (19 mm x 19 mm)
Max.: 4.75" x 6.7" (120 mm x 170 mm)

Dispense Speed:

Up to 100 labels per minute

Static Stack Accuracy:

Up to +/- 1/16" (1.6 mm)

Electrical:

120 Volts, 60 Hz.
220 Volts, 50 Hz.

Air:

3.5 cfm at 100 psi max.

Options:

All O.E.M. print engines
T-base stand
Low level label indicator
Variable stroke tamp cylinder

Label-Aire also provides a full range of pressure-sensitive labelers, rotary, and inline systems to meet your toughest labeling requirements.

member of
I M P A X X
LABELS AND PACKAGING NETWORK
MACHINE SYSTEMS