



CL Series

Compact Scales



With basic weighing and a simple two-button keypad, there's no reason to settle for other brands when you can have an OHAUS scale!

The OHAUS CL Compact Scale is a lightweight, portable scale perfectly suited for use in industrial, jewelry and home use applications. Applications can include quality control, formulation, soil sampling, jewelry, postal weighing and dietary weighing.

Standard Features Include:

- **Superior RF Protection** – The CL is designed with superior RF protection to deliver accurate and stable results when used in production areas or near cell phones. Approvals for electrical and emissions include CE listed and FCC Class B Part 15 operation.
- **Large Weighing Platform** – The CL is designed with a large weighing platform and can adequately handle large samples including oversized letters.
- **Stackable Design with Integrated Shipping Lock** – The CL has a low profile and storage is made easy with a stackable design. The integrated load cell lock protects the weighing cell from damage during storage or transportation.

CL Series Portable Compact Scales

Specifications

Model	CL201	CL2000	CL5000
Capacity (g)	200	2000	5000
Readability (g)	0.1	1	1
Repeatability (Std. Dev.) (g)	0.1	1	1
Linearity (g)	± 0.1	± 1	± 1
Weighing Units	g, lb:oz, ozt, dwt		
Tare Range	To capacity by subtraction		
Stabilization Time	3 seconds		
Optimum Operating Temperature	65° - 77°F / 18° - 25°C		
Power	3 AA batteries (included) AC adapter (optional accessory)		
Battery Life	300 hours		
Calibration	Digital calibration from keypad		
Display (in/cm)	LCD (0.5/1.2 high digits)		
Pan Size (in/cm)	4.75 / 12.0		
Scale Dimensions WxHxD (in/cm)	5.5 x 1.6 x 7.9 / 14 x 4.0 x 20		
Box Dimensions LxW H (in/cm)	9.25 x 6.75 x 2 / 23.5 x 17 x 5.5		
Net Weight (lb/kg)	0.875 / 0.4		
Shipping Weight (lb/kg)	1.3 / .53		

Standard Features

Easy operation with 2 clearly marked buttons, low battery indicator and auto shut-off feature to conserve battery life, mechanical and software overload protection to protect weighing cell from damage, external push button calibration (calibration masses not included). Powered by 3 "AA" batteries (included) or by optional AC adapter

Options and Accessories

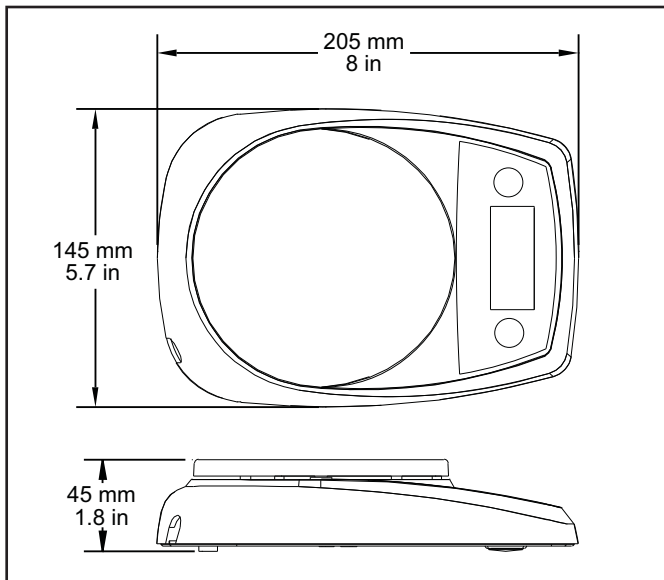
Ohaus Number

Stainless steel pan	80010623
Hard carrying case	80010624
Universal power supply	46001724 (12V interchangeable plug) 46001780 (plug kit)
Calibration masses	Call Ohaus for details

Industry Leading Quality and Support

All OHAUS CL Series scales are manufactured under an ISO 9001:2000 Registered Quality Management System. Our rugged construction and stringent quality control have been hallmarks of all OHAUS products for over a century.

Outline Dimensions



OHAUS CORPORATION

* 19A Chapin Road
P.O. Box 2033
Pine Brook, NJ 07058 USA

Tel: 800.672.7722
973.377.9000
Fax: 973.944.7177

www.ohaus.com

With offices throughout Europe,
Asia, and Latin America

* ISO 9001:2000
Registered Quality Management System

80774379 © Copyright Ohaus Corporation

