

# TSH Load cell, 200kg~5t



## Features:

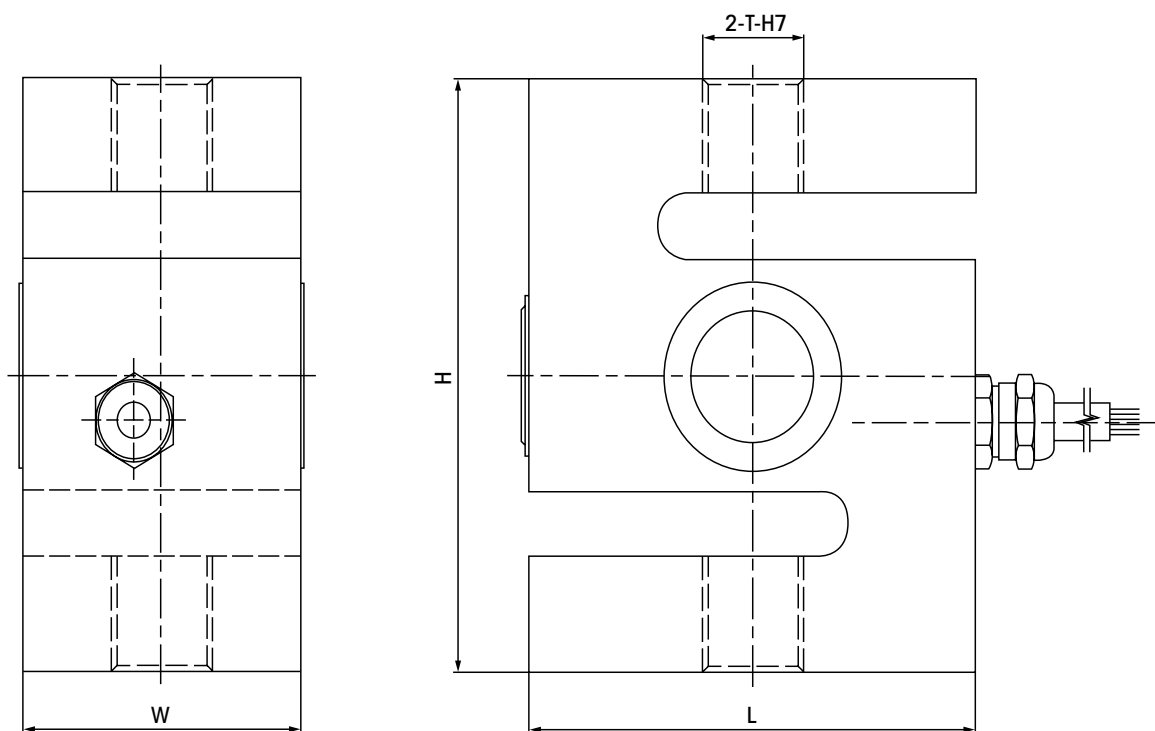
- Stainless steel
- Protection class IP68 as laser welding sealed
- High accuracy
- Excellent durability

## Specification

Rated capacity	kg	200,300,500,1000,2000, 3000,5000
Rated output	mV/V	2 ± 0.002
Non repeatability	%R.C.	≤ 0.010
Hysteresis	%R.C.	≤ 0.017
Non linearity	%R.C.	≤ 0.017
Creep(30min)	%R.C.	≤ 0.017
Zero balance	%R.C.	≤ 1
Temp. Compensated range	°C	-10~+40
Operating temp. Range	°C	-20~+65
Temp. coefficient on output	%Load/°C	≤ 0.002
Temp. coefficient on zero balance	%R.C./°C	≤ 0.002
Input resistance	Ω	385 ± 5
Output resistance	Ω	350 ± 1
Insulation resistance	MΩ	≥ 5000(50V DC)
Recommended voltage	V(DC/AC)	5~15
Max. excit. voltage	V(DC/AC)	20
Safe overload	%R.C.	150
Ultimated overload	%R.C.	300
Protection class		IP68
Cable length	m	5

1) The cable color code of TSH load cell please refer to our data sheet SB...

2) Optionally available with service temperature range up to 150°C (310°F).



**TSH 200,300,500,1000,2000,3000,5000kg**

Capacity(kg)	L(mm)	H(mm)	W(mm)	T(mm)
200,300	62	80	30	M10x1
500	62	80	30	M12x1
1000	70	90	30	M12x1
2000	70	90	45	M16x1.5
3000	80	100	50	M18x1.5
5000	92	130	58	M20x2

For the coupling of TSH please refer to the coupling of TSC/TSB